

Sealed chassis offers protection against dirt, dust and other particles to reduce wear.

Oil-filled, sealed transmission is shock-resistant, quiet and requires little maintenance.

High-efficiency electronic system features waterproof components for maximum reliability – even in damp conditions.

Robust forks with welded construction, and rounded tips for effortless pallet entry, providing extra strength and durability.

Market-leading lift height of 135 mm allows easy handling on steep ramps and loading docks, even with damaged pallets.

High stability is ensured by use of two linked castor wheels – next to the central drive wheel – in addition to the two load wheels.

Versatile battery compartment accommodates DIN and BS size batteries with a variety of capacities for maximum compatibility with user's equipment and needs.

Choice of two performance modes via key switch enhances safety, energy efficiency and productivity.



	Specifications				MDW 160	
Characteristics	1.1	Manufacturer			UniCarriers	
	1.2	Manufacturer's model designation			MDW 160	
	1.3	Power source: battery, diesel, LP gas, gasoline			Battery	
	1.4	Operation type: pedestrian, standing, seating			Pedestrian	
	1.5	Load capacity	Q*	kg	1600	
	1.6	Load center distance	c*	mm	600	
	1.8	Load wheel axle to fork face (forks lowered)	x*	mm	960	
	1.9	Wheelbase	y*	mm	1360	
	Weights	2.1	Truck weight with maximum battery weight		kg	431
2.2		Axle loadings with nominal load & maximum battery weight, drive / load side		kg	635 / 1396	
2.3		Axle loadings without load & with maximum battery weight, drive / load side		kg	332 / 99	
Wheels & Tires	3.1	Tires: PT = Power Thane, Vul = Vulkollan, drive / load side			Vul / Vul	
	3.2	Tire dimensions, drive side		mm	85 x 90	
	3.3	Tire dimensions, load side		mm	230 x 70	
	3.4	Caster wheel dimensions, diameter x width		mm	100 x 40	
	3.5	Number of wheels, drive / load side (x = driven)			2+1x / 2	
	3.6	Truck width (center of tires), drive side	b10*	mm	480	
	3.7	Truck width (center of tires), load side	b11*	mm	355 / 375 / 495	
Dimensions	4.2	Height with mast lowered (see tables)		h1*	mm	–
	4.4	Lift height		h3*	mm	135
	4.8	Seat or stand height			mm	–
	4.9	Height of tiller arm / steering console, min / max		h14*	mm	1050 / 1372
	4.15	Fork height, fully lowered		h13*	mm	85
	4.19	Overall length, platform up / down		l1*	mm	1648
	4.20	Length to fork face, platform up / down		l2*	mm	498
	4.21	Overall width		b1/b2*	mm	720
	4.22	Fork dimensions, thickness/ width / length		s/e/l*	mm	55 / 165 / 1150
	4.25	Outside width over forks		b5*	mm	520 / 540 / 660
	4.32	Ground clearance, center of wheelbase (forks lowered)		m2*	mm	30
	4.33	Working aisle width (Ast) with 1000 x 1200mm pallet, load crosswise, platform up / down		Ast*	mm	1694
	4.34	Working aisle width (Ast) with 800 x 1200mm pallet, load lengthwise, platform up / down		Ast*	mm	1894
	4.35	Turning radius		Wa*	mm	1454
Performance	5.1	Travel speed, with / without load		km/h	6.0 / 6.0	
	5.2	Lifting speed, with / without load		m/s	0.034 / 0.043	
	5.3	Lowering speed, with/ without load		m/s	0.099 / 0.076	
	5.7	Gradeability, with / without load		%	10.0 / 20.0	
	5.10	Service brakes (mechanical / hydraulic / pneumatic)				Electric
Drive	6.1	Drive motor capacity (60 min short duty)		kW	1.0	
	6.2	Lift motor output at 15% duty factor		kW	0.8	
	6.4	Battery voltage / capacity at 5-hour discharge		V/Ah	24 / 150	
	6.5	Battery weight		kg	151	
	Other	8.1	Type of drive control			Stepless
8.4		Level of noise at the ear level of the driver according to EN 12 053:2001 and EN ISO 4871, drive / lift / idle LpAZ		dB(A)	62 / 69 / 0	
		Body tremble according to EN 13 059:2002		m/s ²	–	
		Hand tremble according to EN 13 059:2002		m/s ²	<2.5	

* varies according to battery size

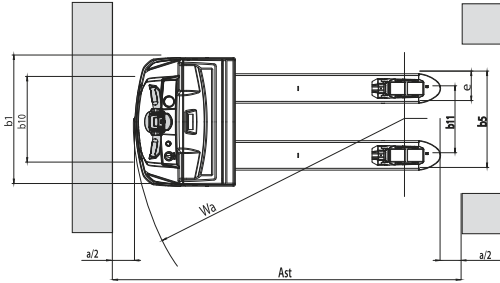
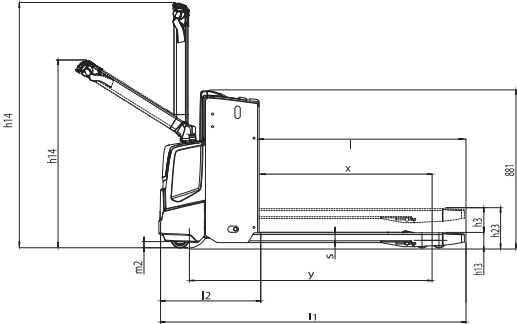
All rights reserved to change above specifications

		MDW 180	MDW 200
Characteristics	1.1	UniCarriers	UniCarriers
	1.2	MDW 180	MDW 200
	1.3	Battery	Battery
	1.4	Pedestrian	Pedestrian
	1.5	1800	2000
	1.6	600	600
	1.8	960	960
	1.9	1424	1424
	Weights	2.1	502
2.2		806 / 1496	864 / 1770
2.3		381 / 121	475 / 159
Wheels & Tires	3.1	Vul / Vul	Vul / Vul
	3.2	85 x 75	85 x 75
	3.3	230 x 70	230 x 70
	3.4	100 x 40	100 x 40
	3.5	2+1x / 4	2+ 1x / 4
	3.6	480	480
	3.7	355 / 375 / 495	355 / 375 / 495
Dimensions	4.2	-	-
	4.4	135	135
	4.8	-	-
	4.9	1050 / 1372	1050 / 1372
	4.15	85	85
	4.19	1712	1712
	4.20	562	562
	4.21	720	720
	4.22	55 / 165 / 1150	55 / 165 / 1150
	4.25	520 / 540 / 660	520 / 540 / 660
	4.32	30	30
	4.33	1758	1758
	4.34	1958	1958
	4.35	1518	1518
Performance	5.1	6.0 / 6.0	6.0 / 6.0
	5.2	0.034 / 0.043	0.039 / 0.06
	5.3	0.099 / 0.076	0.099 / 0.078
	5.7	10.0 / 20.0	10.0 / 20.0
	5.10	Electric	Electric
Drive	6.1	1.0	1.0
	6.2	0.8	1.2
	6.4	24 / 250	24 / 250-375
	6.5	212	212-294
Other	8.1	Stepless	Stepless
	8.4	62 / 69 / 0	65 / 67 / 0
		-	-
		<2.5	<2.5

* varies according to battery size

All rights reserved to change above specifications

MDW 160-200



© 2023 Mitsubishi Logisnext Americas Inc. UniCarriers® is a registered trademark of Mitsubishi Logisnext Co., Ltd. Mitsubishi Logisnext Americas Inc. reserves the right to make product changes relating to colors, equipment, specifications or available options without notice. For more information, contact your UniCarriers Forklift representative.